
Artstraws

easy to use
fun to do

Equipment: Scissors, PVA glue, felt pens, paints, card, ruler

Colouring

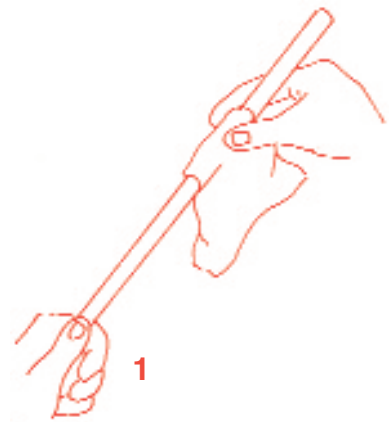
It is best to colour straws before use, except for large models like log cabins where they can be painted or sprayed afterwards.

Use: large felt pens, paints or food colouring.
To apply paints or colouring, dip a piece of damp J-cloth into the paint, wrap round straw and slide along.

LEAVE STRAWS TO DRY BEFORE USING.

Sticking

White paper glue (PVA) is the best, as it is not visible when dry.



Pictures, Birthday, Christmas & Easter Cards

Here are some hints for the cards shown on the pack. When you have tried these, see what other pictures you can make.

Hedgehog Card:

Draw hedgehog shape or cut out of coloured card. Starting with his tail, stick bits of thin straws onto the hedgehog, laying them flat, partly on top of one another.

To make the flowers, see 'flower' section.

For bluebirds, fold a short piece of straw into a 'V' shape.

Train Card:

With a pencil, lightly draw the outline of the train. Cut the straws to length and stick them in place.

Wheels - flatten a fat straw and wind round a pencil.

Stick the end in place.

Coal - Use short pieces of straw.

House Card:

With a pencil, draw the outline of the picture. Cut the straws to length and stick them in place.

Tree: Use a fat straw for the tree trunk but be sure to do this before making the fence.

For leaves, use short pieces of flattened straw.

Snowman Card:

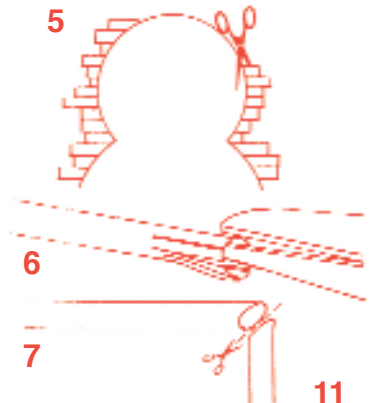
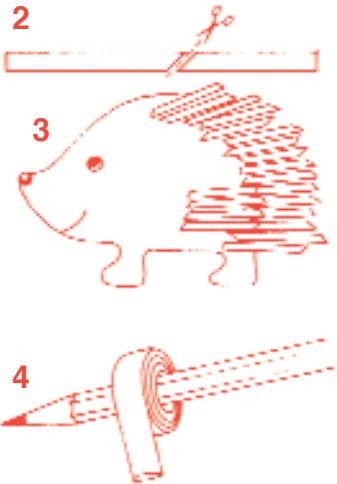
Draw a snowman shape and cut it out. Stick straws of approximate length onto the shape. Leave to dry. Turn the snowman over and trim off excess straws. Stick the snowman onto a card. Add bits of straw for hat, face, buttons, broom and scarf.

How to cut the ends of straws to make scarf and broom (see diagram 6).

To make a picture frame:

Cut the straws to fit round the edge of your picture.

Some Other Ideas



Masks

Clown:

Cut the face shape out of coloured card.
Cut holes for the eyes.

Mouth & Nose - use sticky paper or paint.

Eyes, teeth, bow tie - stick on bits of straws.

Flower on hat - use one of the flowers given in flower section.

Hair - flatten a fat straw and cut ends (see diagram 6).

Fixing elastic

Stick two short lengths of straws to the back of the mask and thread elastic through them.

Indian Head-dress

Cut out headband shape from coloured card and decorate with coloured straws.

Feathers - flatten fat straws and cut them to length.

Run a black felt pen along one edge and, starting 2 cms from one end, make diagonal cuts along the other edge.

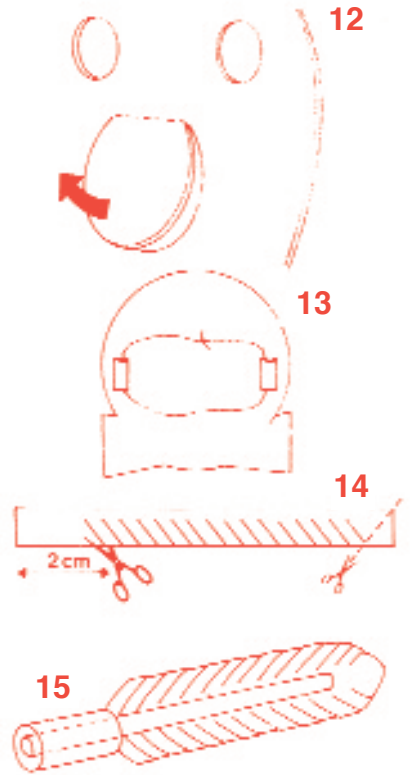
Cut the end of the straw off at an angle.

With pointed scissors, snip along unmarked edge to the end of the diagonal cuts and open out the feathers. Colour feathers.

Cut thin straws slightly shorter than the feathers and stick along the back of the feathers.

Stick the bottom ends of the feathers along the back of the headband.

Fixing elastic (see diagram 13).



Flowers

Leaves & Stalks

Stick leaves and stalks onto your picture before adding the flowers.

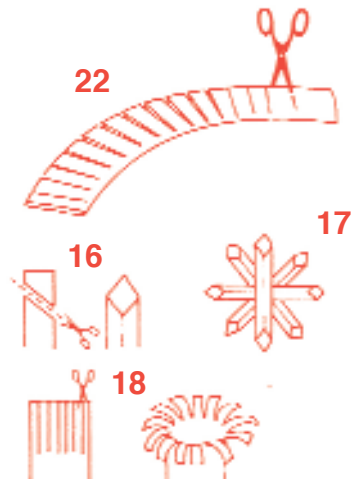
Leaf: flatten a length of straw and make long, close, diagonal cuts along one side.
Bend into shape.

Flower 1 (yellow flower)

Gently flatten an Artstraw and cut off four equal lengths.

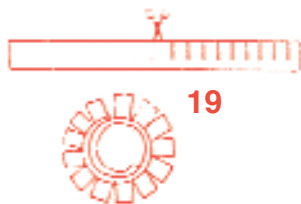
Cut both ends of each length (see diagram 16), half turn and flatten again. Now, glue the lengths on top of one another, as in 17.

The centre of the flower can be made by making a number of cuts in a short length of Artstraw and spreading out the strips, as in diagram 18.



Flower 2 (red flower)

Flatten an Artstraw and make cuts at one end for about 10 cms, as shown in diagram 19. Starting with the uncut end, roll the Artstraw round a pencil and glue the end in place. Gently fold out the cut pieces to form petals.



Flower 3 (white flower)

Flatten a fat Artstraw and cut off several pieces, each 2 cms long. Cut as shown in diagram and open out to form a petal.



Flower 4 (blue flower, hedgehog picture)

To make the centre of the flower, flatten an Artstraw and roll it up, sticking the end to hold it in place. Cut off several pieces about 6 cm long from a flattened Artstraw, fold these in half and stick them round the centre.

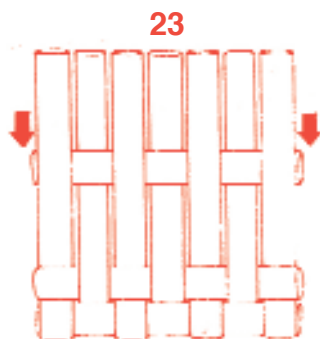


Flower Card

To make the woven basket - flatten a number of straws. Stick these straws vertically onto another flattened straw. The vertical straws should be close to one another and stuck alternatively on opposite sides of the horizontal straw. See diagram.

Leave to dry.

Weave flattened straws in and out of the vertical straws. It is best if the last straw to be woven is glued in place. Cut the weave into the shape you want for your basket. Finish off by sticking straws round the edge of the basket.



Jewellery

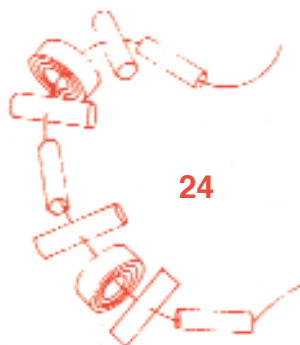
Bits and pieces of Artstraw can be used to make bracelets and necklaces.

Using a darning needle, thread wool through various lengths and colours of Artstraws.

It is best to decide a pattern before threading.

A three-straw plait (using different coloured straws) will make a wrist strap for a pretend watch, or a headband.

Velcro or double-sided sticky pads make ideal fasteners.



Mobile

Various Artstraw shapes can easily be turned into mobiles by attaching the shapes to a support with different lengths of thread.

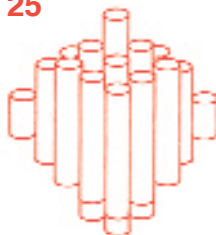
A support can be made by slipping a piece of coloured Artstraw along a coat hanger wire or knitting needle.

You will have to adjust the position of the shapes to balance the mobile.

Some Simple Shapes

1. Cut the card to the shape of a fish or butterfly and decorate with Artstraws (see diagram 8).
2. Stick a number of different lengths and colours of Artstraws together in a bundle (see diagram 25).
3. Star Shape - use yellow straws and make a large flower as in diagram 17.
4. Christmas Trees - fold over into a 'V' shape three or four pieces of flattened green straws. Stick these onto a straight piece of straw and decorate with glue and glitter (see diagram 26).

25



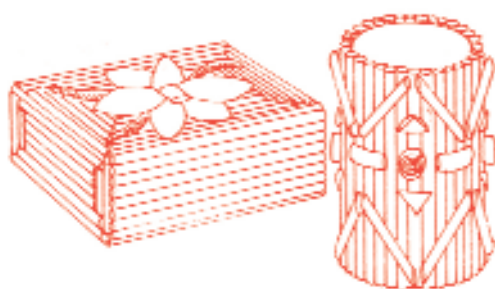
26



Models

(Houses, Furniture, Cars, Space Ships and pretty Containers).

Cover boxes, tubes, containers or pieces of card with straws to make your basic shape. Then decorate with different coloured straws and other materials.

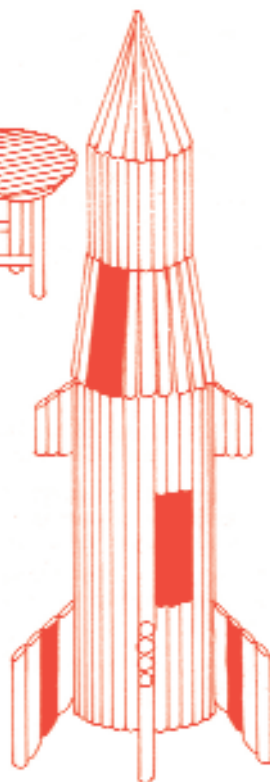


Log Cabin - stick straws onto a box to make the cabin walls. There is no need to cut straws to the exact length as you will find it easier to trim the straws after they have been stuck on and left to dry. In the same way, stick straws onto a large piece of folded card for the roof (a tiled roof can be made by sticking on short pieces of flattened straw).

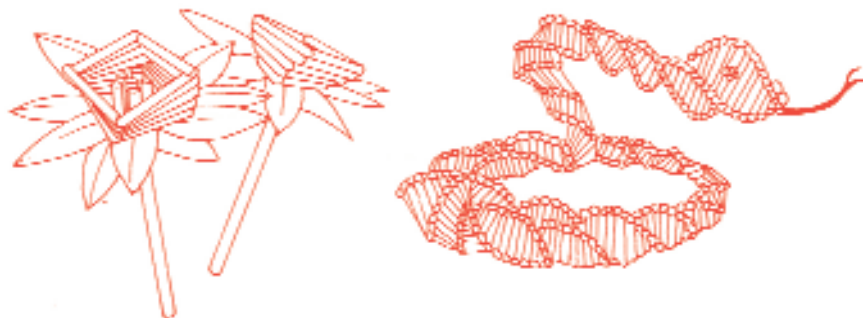
Stick the roof onto the walls and fill in the triangular gaps under the roof with card.

Stick two Artstraws along the roof ridge.

Paint the cabin and, when dry, stick on different coloured straws to create windows, door, logs, chimney, etc.



You can also buy much longer Artstraws, which can be used to make a completely different type of model. Using a special type of weaving, lots of exciting things can be made – snakes and dinosaurs, Viking ships and bridges, daffodils and dolls.



Packs of extra long straws are available from most good toy and model shops.

Artstraws Limited
6-7 Wyndham Court
Swansea Enterprise Park
Swansea SA6 8RB
Tel: (01792) 796151
Fax: (01792) 700540

**Distributed in the USA by
The Chenille Kraft Company
Gurnee. IL60031 USA
Tel: 800 621 1261**
